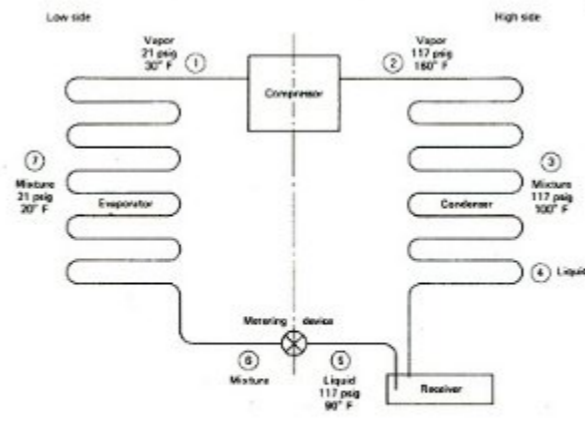


COMMERCIAL, INDUSTRIAL, AND INSTITUTIONAL REFRIGERATION

Design, Installation, and Troubleshooting



William B. Cooper

Download Commercial, Industrial And Institutional Refrigeration : Design, Installation, And Troubleshooting

This is likewise one of the factors by obtaining the soft documents of this **Commercial, Industrial and Institutional Refrigeration : Design, Installation, and Troubleshooting** by online. You might not require more era to spend to go to the books foundation as capably as search for them. In some cases, you likewise do not discover the declaration Commercial, Industrial and Institutional Refrigeration : Design, Installation, and Troubleshooting that you are looking for. It will totally squander the time.

However below, with you visit this web page, it will be fittingly entirely easy to get as skillfully as download guide Commercial, Industrial and Institutional Refrigeration : Design, Installation, and Troubleshooting

It will not give a positive response many period as we tell before. You can pull off it even though behave something else at home and even in your workplace. consequently easy! So, are you question? Just exercise just what we find the money for under as capably as review **Commercial, Industrial and Institutional Refrigeration : Design, Installation, and Troubleshooting** what you afterward to read!

Commercial, Industrial, and Institutional Refrigeration-William B. Cooper 1987

Clean Air Act Amendments of 1987-United States. Congress. Senate. Committee on Environment and Public Works. Subcommittee on Environmental Protection 1987

Industrial Refrigeration- 1946

Harris' Complete Guide to NAICS-Scott M. Vogel 2001

Membership Directory-American Consulting Engineers Council 1994

Directory - American Consulting Engineers Council-American Consulting Engineers Council 1989

Facilities Engineering and Management Handbook-Paul Richard Smith 2001-01-01 Get the big picture in facility management and engineering for greater safety, efficiency, and economy A complete desktop reference, Facilities Engineering and Management Handbook -- by Paul Smith, Anand Seth, Roger Wessel, David Stymiest, William Porter and Mark Neitlich -- gives you all the tools you need for analyzing, comparing, anticipating, and managing the implications of engineering, maintenance, operating, and design decisions, and integrating facility systems for best results. The Handbook's life-cycle approach helps you put all relevant issues in context -- cost, durability, maintainability, operability, safety, and more -- so you can: Make farsighted, well-integrated decisions Coordinate architectural, structural, mechanical, electrical, HVAC, control instrumentation, and other needs in any type of building Handle today's concerns and technologies, such as smart buildings and telecommunications networks Visualize solutions with hundreds of illustrations Find information on all needed codes and standards governing facility design, installation, operation, and maintenance Evaluate loads on mechanical and other systems Use computer-aided systems Prepare a whole-facility economic analysis Apply useful guidance on complex specialized facilities, such as airports and industrial process plants—plus integrated complexes such as malls and government installations Plan for and integrate fire, safety, security, data, communications, lightning, controls, fuel, power, plumbing, and many other types of systems

Official Gazette of the United States Patent and Trademark Office- 2000-07

Refrigeration Engineering- 1958 English abstracts from Kholodil'naia tekhnika.

Business Week- 1936

Stratospheric Ozone Depletion and Chlorofluorocarbons-United States. Congress. Senate. Committee on Environment and Public Works. Subcommittee on Environmental Protection 1987

Refiner and Natural Gasoline Manufacturer- 1936-07

Directory-American Consulting Engineers Council 1978

Book of Lists- 2000

ACEC Directory-American Consulting Engineers Council 1992

A Practical Approach to Water Conservation for Commercial and Industrial Facilities-Mohan Seneviratne 2007-07-11 Industry and commerce use vast amounts of water and in some parts of the world water is becoming a scarce commodity. We need to take more care in our future use of water, and this book is a 'best practice' manual for industrial and commercial users world-wide. It offers a practical account of the measures which can be taken to re-educate industrial and commercial users in the techniques of water saving and re-use anywhere in the world. The principles are covered in detail and supported by examples from specific industries and commercial operations. Author Mohan Seneviratne is Manager of Sydney Water's 'Every Drop Counts Business Program', which won the prestigious 2006 Stockholm Industry Water Award in recognition of how the utility is working in partnership with business, industry and government to help ensure the long-term sustainability of Sydney's water supply. * The first book to cover water conservation for industrial users from processing plants to pubs and clubs * Provides practical advice on implementing water conservation for users in various industry sectors * Written by a practicing water conservation consultant

2002 Report of the Refrigeration, Air Conditioning, and Heat Pumps Technical Options Committee- 2003 The 2002 assessment report, produced under the Montreal Protocol on ozone depleting substances, finds that technical progress has been made by the refrigeration, air conditioning and heat pump industry to comply with requirements to phase out CFCs and in several applications, HCFCs as well. However, there is still a significant amount of installed refrigeration equipment still using CFCs and HCFCs, and so service demand remains high and is best minimised by preventive service, containment, retrofit, recovery and recycling.

Kalamazoo Telephone Directories- 1987

The Encyclopedia Americana- 2000

Scientific Resources of the San Francisco Bay Region- 1967

ESD Technology- 1993

Detroit Suburban Downriver Area Telephone Directories- 1991

Power and the Engineer- 1968

Directory, Professional Engineers in Private Practice- 1978

Specifying Engineer- 1986

Regional Industrial Buying Guide- 1993

Fairchild's Electronics Industry Financial Directory- 1965

ASHRAE Journal- 1995

Directory of Engineers in Private Practice-

Air Conditioning, Heating and Ventilating- 1958

Air Conditioning Heating & Refrigeration News- 1988

Electronic News Financial Fact Book & Directory- 1967

Telephone Directory, Charlottesville- 1980

Thomas Register of American Manufacturers and Thomas Register Catalog File- 2003 Vols. for 1970-71 includes manufacturers' catalogs.

Chicago, Cook County & Illinois Industrial Directory- 1976

Consulting Engineer- 1971-07

Opportunities in Refrigeration and Air Conditioning Trades-Richard S. Budzik 1989 Provides an overview of the industry, discusses training and educational requirements, and includes information on wages, responsibilities and employment outlook

Opportunities in Heating, Ventilation, Air-conditioning, and Refrigeration Careers-Richard S. Budzik 1995 Provides an overview of the field and discusses employment outlook

Refrigeration Service and Contracting- 1968

Complying with the CFC Prohibitions of the Clean Air Act-Edward G. Hauprich 1994